

1 2 3 4 5

A

A

B

B

C

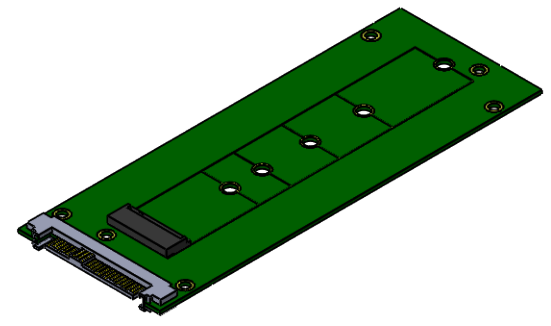
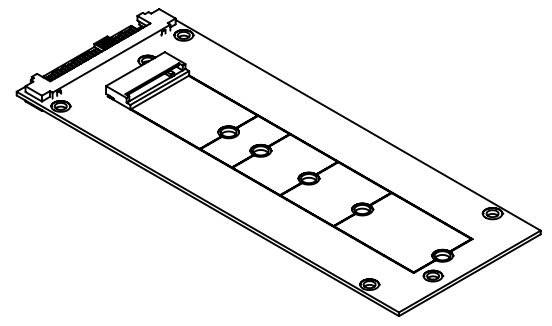
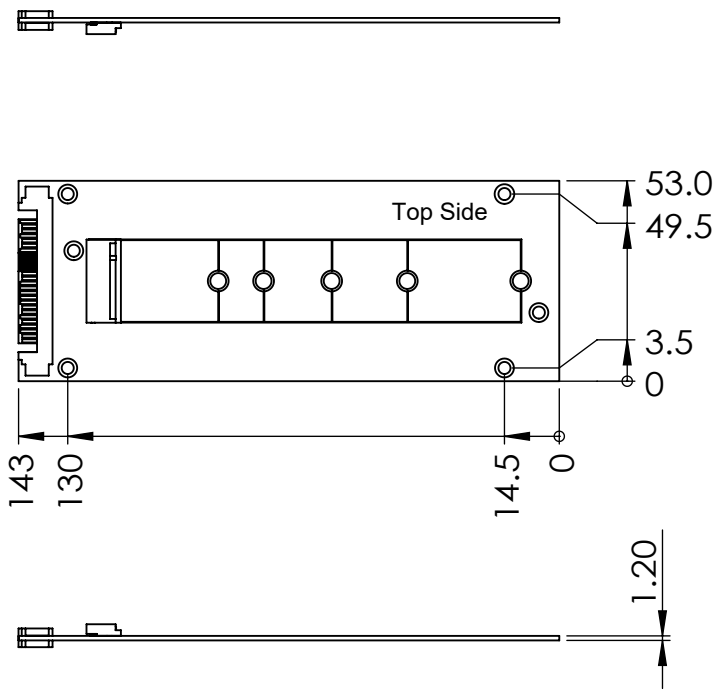
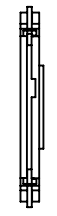
C

D

D

E

E



PCB Thickness(mils) : 1.2mm
 PCB length x Width : 143 X 53 mm

Drawn	Tina	Minerva Innovation Company			
Checked	2019-09-26	Title	Part NO.		
Approved		PU407AH	Drawing NO.		
Angle of projection		Tolerance	Scale	Sheet	Siez
			1:2		Rev

1 2 3 4 5